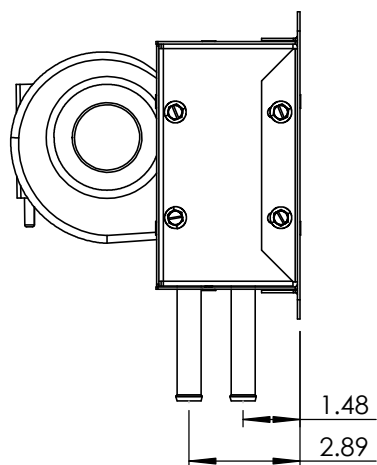
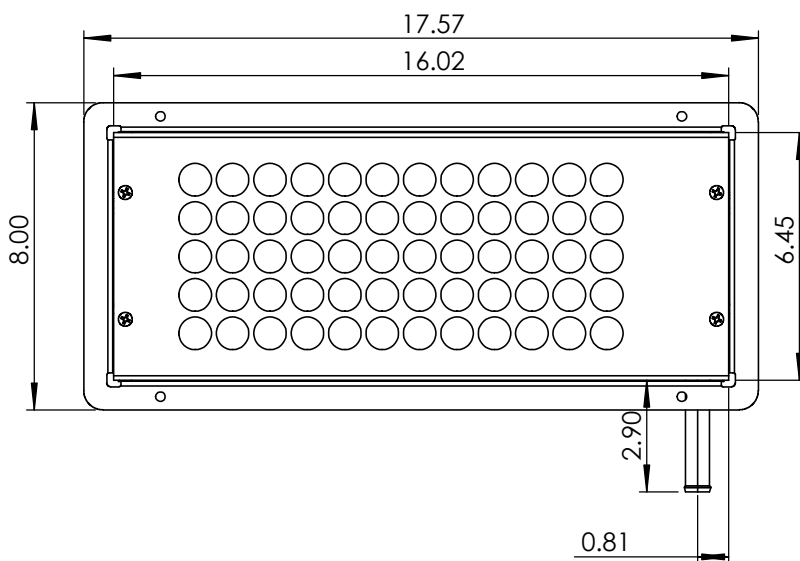
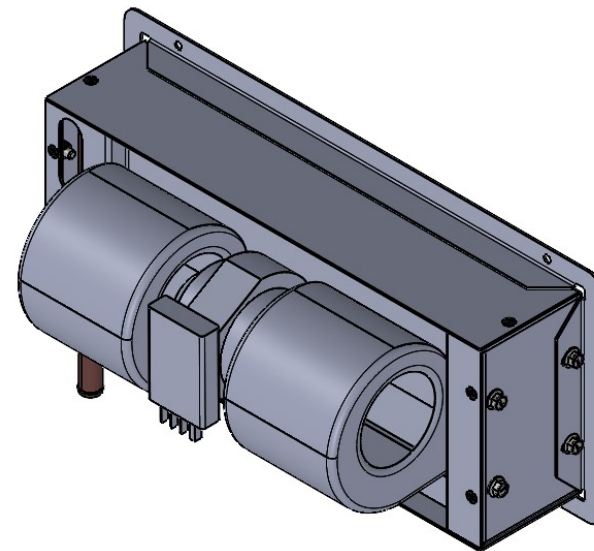
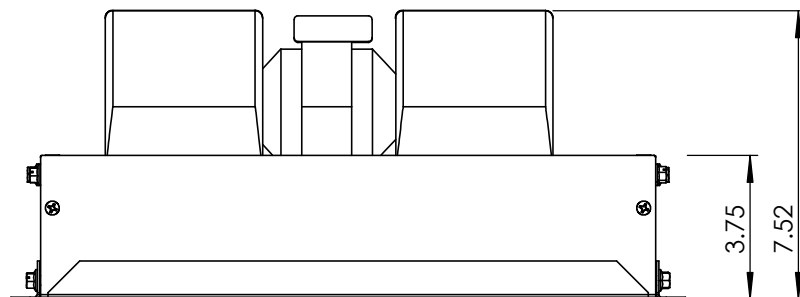


# UNIT DIMENSIONS / SPECIFICATIONS



SPECIFICATIONS	
CAPACITY	35,000 BTU
AIRFLOW	430 CFM
VOLTAGE	27.2 VDC
AMPERAGE	7 A
BLOWER SPEEDS	3
FINISH	BLACK POWDERCOAT

REVISIONS				
REV.	ECO	DESCRIPTION	DATE	APPR.
B	00048	BF-286 FOAM WAS BF-118	08/28/24	JY

HOSE LENGTH TOLERANCE
UP TO 12" INCLUSIVE ± .13
OVER 12" TO 18" ± .19
OVER 18" TO 36" ± .25
OVER 36" ± 1% NEAREST .12

**PROPRIETARY AND CONFIDENTIAL**

THE INFORMATION CONTAINED IN THIS DRAWING IS THE SOLE PROPERTY OF BADGER TRUCK REFRIGERATION. ANY REPRODUCTION IN PART OR AS A WHOLE WITHOUT WRITTEN PERMISSION IS PROHIBITED.

MATERIAL	NAME	DATE
FINISH	JY	12/04/23

DO NOT SCALE DRAWING



UNLESS OTHERWISE SPECIFIED:  
 DIMENSIONS ARE IN INCHES  
 TOLERANCES:  
 ANGULAR: ±1  
 TWO PLACE DECIMAL ±.03  
 THREE PLACE DECIMAL ±.010

DRAWN	DATE
JY	12/04/23

## BADGER TRUCK REFRIGERATION

6302 TEXACO DRIVE EAU CLAIRE WI 54703  
 (715) 874-6811

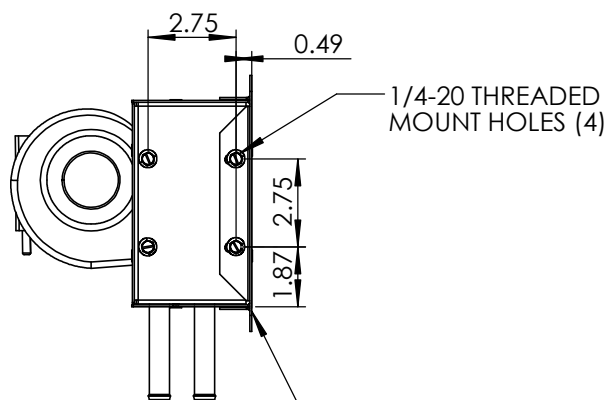
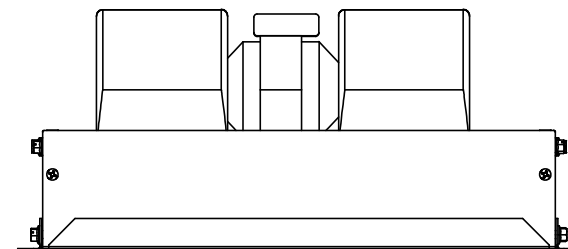
TITLE: 24V HEATER BOTTOM  
 EXIT W/MOUNTING  
 BEZEL

SIZE	DWG. NO.	REV
<b>A</b>	BU-1000-8-24	B

SCALE: 1:5

SHEET 1 OF 4

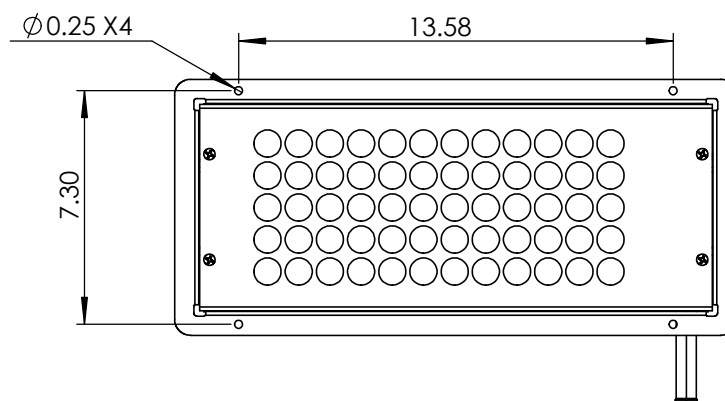
# CONNECTIONS / MOUNTING



5/8" HOSE CONNECTION (2)

1/4-20 THREADED MOUNT HOLES (4)

BEZEL MAY BE MOUNTED IN ANY OF 4 POSITIONS



**HOSE LENGTH TOLERANCE**

UP TO 12" INCLUSIVE ± .13  
 OVER 12" TO 18" ± .19  
 OVER 18" TO 36" ± .25  
 OVER 36" ± 1% NEAREST .12

**PROPRIETARY AND CONFIDENTIAL**

THE INFORMATION CONTAINED IN THIS DRAWING IS THE SOLE PROPERTY OF BADGER TRUCK REFRIGERATION. ANY REPRODUCTION IN PART OR AS A WHOLE WITHOUT WRITTEN PERMISSION IS PROHIBITED.

MATERIAL FINISH

DO NOT SCALE DRAWING



UNLESS OTHERWISE SPECIFIED: DIMENSIONS ARE IN INCHES  
 TOLERANCES:  
 ANGULAR: ±1  
 TWO PLACE DECIMAL ±.03  
 THREE PLACE DECIMAL ±.010

NAME DATE  
 DRAWN JY 12/04/23

CHECKED

**BADGER TRUCK REFRIGERATION**

6302 TEXACO DRIVE EAU CLAIRE WI 54703  
 (715) 874-6811

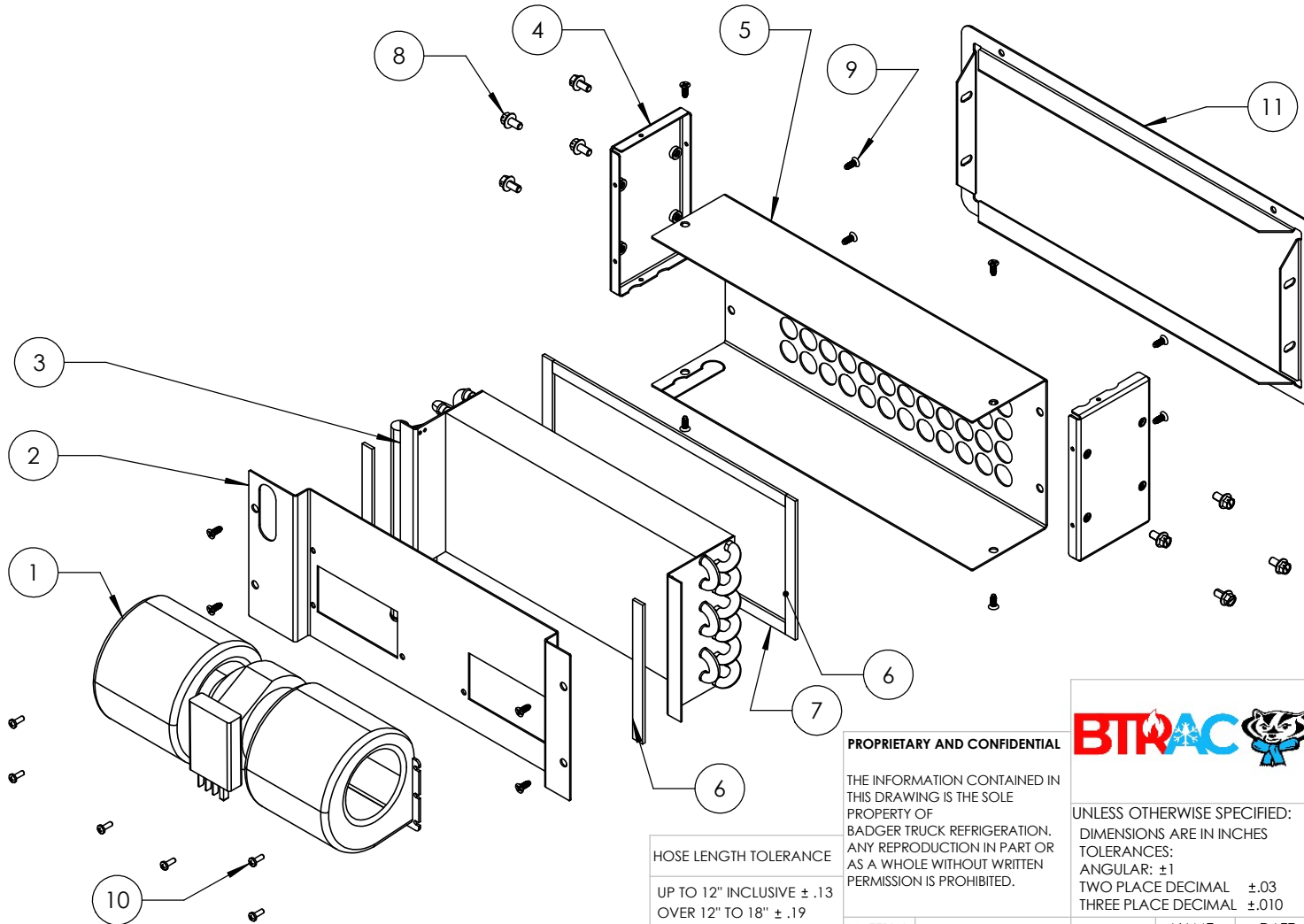
TITLE: **24V HEATER BOTTOM EXIT W/MOUNTING BEZEL**

SIZE DWG. NO. REV  
**A** BU-1000-8-24 B

SCALE: 1:6 SHEET 2 OF 4

# SERVICE PARTS DIAGRAM

ITEM NO.	PART NUMBER	DESCRIPTION	QTY.
1	BT3-0600-4	24V BLOWER ASSY	1
2	BT100526	HEATER BLOWER PLATE	1
3	BT6-1450	HEATER CORE BOTTOM EXIT	1
4	BT100525	HEATER HOUSING SIDE PANEL	2
5	BT100524	HEATER FRONT HOUSING	1
6	BF-286 6.0	FOAM 6.0 x 0.5 x 0.125	4
7	BF-286 11.625	FOAM 11.625 x 0.5 x 0.125	2
8	0210	BOLT 1/4-20X1/2 SPINLOCK	8
9	1122500	#10-24x1/2" FLAT U/C BLACK OXIDE	12
10	1191202	M4-0.7X12MM	6
11	BT100529	HEATER MOUNTING BEZEL	1




HOSE LENGTH TOLERANCE	
UP TO 12" INCLUSIVE	± .13
OVER 12" TO 18" ± .19	
OVER 18" TO 36" ± .25	
OVER 36" ± 1% NEAREST .12	

**PROPRIETARY AND CONFIDENTIAL**

THE INFORMATION CONTAINED IN THIS DRAWING IS THE SOLE PROPERTY OF BADGER TRUCK REFRIGERATION. ANY REPRODUCTION IN PART OR AS A WHOLE WITHOUT WRITTEN PERMISSION IS PROHIBITED.

MATERIAL FINISH

DO NOT SCALE DRAWING



UNLESS OTHERWISE SPECIFIED:  
 DIMENSIONS ARE IN INCHES  
 TOLERANCES:  
 ANGULAR: ±1  
 TWO PLACE DECIMAL ±.03  
 THREE PLACE DECIMAL ±.010

NAME	DATE
DRAWN JY	12/04/23
CHECKED	

**BADGER TRUCK REFRIGERATION**  
 6302 TEXACO DRIVE EAU CLAIRE WI 54703  
 (715) 874-6811

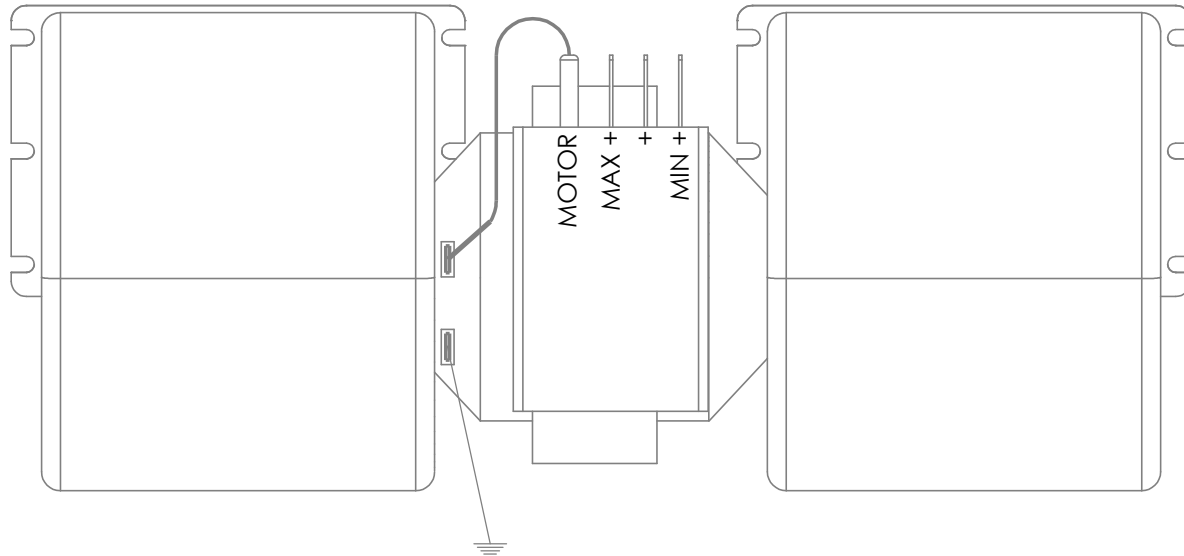
TITLE: **24V HEATER BOTTOM EXIT W/MOUNTING BEZEL**

SIZE	DWG. NO.	REV
<b>A</b>	BU-1000-8-24	B

SCALE: 1:6

SHEET 3 OF 4

# WIRING INFORMATION



HOSE LENGTH TOLERANCE	
UP TO 12" INCLUSIVE	± .13
OVER 12" TO 18"	± .19
OVER 18" TO 36"	± .25
OVER 36"	± 1% NEAREST .12

**PROPRIETARY AND CONFIDENTIAL**

THE INFORMATION CONTAINED IN THIS DRAWING IS THE SOLE PROPERTY OF BADGER TRUCK REFRIGERATION. ANY REPRODUCTION IN PART OR AS A WHOLE WITHOUT WRITTEN PERMISSION IS PROHIBITED.



UNLESS OTHERWISE SPECIFIED:  
 DIMENSIONS ARE IN INCHES  
 TOLERANCES:  
 ANGULAR: ±1  
 TWO PLACE DECIMAL ±.03  
 THREE PLACE DECIMAL ±.010

MATERIAL	NAME	DATE
FINISH	JY	12/04/23
DO NOT SCALE DRAWING		CHECKED

**BADGER TRUCK REFRIGERATION**  
 6302 TEXACO DRIVE EAU CLAIRE WI 54703  
 (715) 874-6811

**TITLE: 24V HEATER BOTTOM EXIT W/MOUNTING BEZEL**

SIZE	DWG. NO.	REV
<b>A</b>	BU-1000-8-24	B